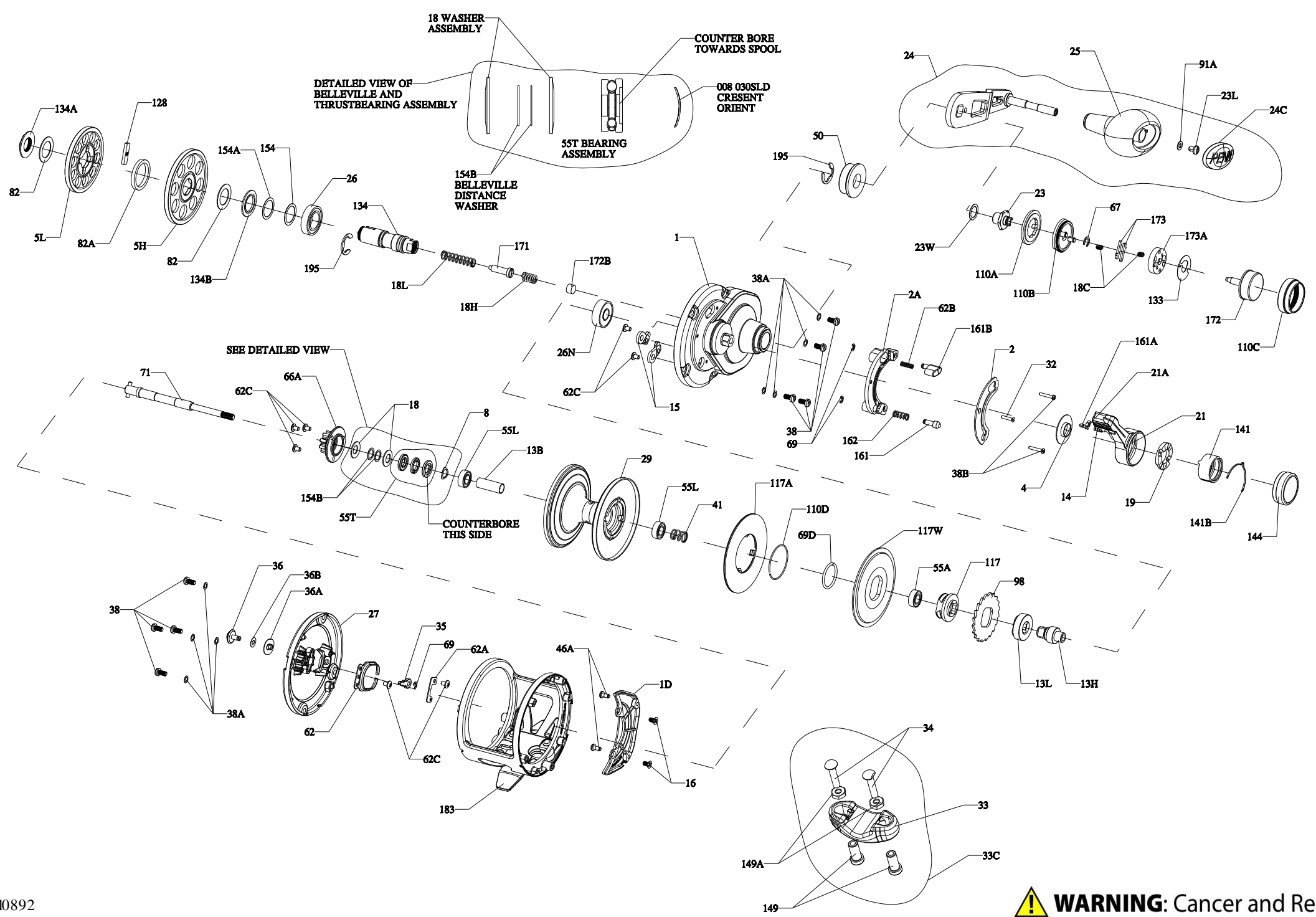




Key No.	Part No.	PENN Style No.	Description	Key No.	Part No.	PENN Style No.	Description	Key No.	Part No.	PENN Style No.	Description
1	1309859	1-FTH25NLD2	Right Side Plate Assembly	19	1296247	19-TRQ30LD2	Drag Cam	34	1182788	34-45	Screw, Rod Clamp (2 req)
1D	1309864	1D-FTH25NLD2	Bridge	21	1265007	21-TRQ30LD2SMK	Lever Drag (Gun Smoke)	35	1188656	35-20	Click Tongue
2	1264972	2-TRQ30LD2SMK	Quadrant (Gun Smoke)	21A	1265011	21A-TRQ30LD2	Lever Quadrant Spacer	36	1242796	36-FTHSD12	Click Button
2A	1264976	2A-TRQ30NLD2	Drag Lever Ratchet	23	1229458	23-12VS	Screw, Handle Nut	36A	1208113	36A-FTH20LW	Click Washer
4	1264978	4-TRQ15LD2	Lever Washer	23L	1191283	23L-750	Screw	36B	1188651	36B-20	Washer
5H	1264981	5-FTH25NLD2HS	Main Gear High Speed	23W	1286986	23W-TRQ40NLD2	Handle Nut Washer	38	1309885	38-FTH15LD2	Screw (8 req)
5L	1264982	5-FTH25NLD2LS	Main Gear Low Speed	24	1277510	24-TRQ30LD2SMK	Handle Assembly (Gun Smoke / Gold)	38A	1188649	38A-20	Flat Washer (8 req)
8	1257843	8-30SLD	Spring Washer	24C	1191335	24C-66	Cap- Handle Knob	38B	1265055	38-TRQ40NLD2S	Screw (2 req)
13B	1309867	13B-FTH25NLD2	Sleeve Spindle	25	1240293	25-TRQ40	Knob Handle Molded	41	1265056	41-TRQ40NLD2	Drag Disengaging Spring
13H	1264993	13-FTH25NLD2HS	High Speed Pinion	26	1265023	26-TRQ40NLD2	Ball Bearing	46A	1507714	46A-FTH15LD2	Cover Plate Screw (2 req)
13L	1264994	13-FTH25NLD2LS	Low Speed Pinion	26N	1182145	26N-25	Bearing- Ball	50	1309888	50-FTH30LD2	Shield, Guard
14	1181406	14-535	Spring- Dog	27	1309872	27-FTH25NLD2	Left Side Plate Assembly	55A	1238912	55A-50SLD	Ball Bearing
15	1229374	15-TRQ40	Dog Asm (2 req)	29	1309877	29-FTH25NLD2	Spool (Gun Smoke / Gold)	55L	1286985	55L-20	Ball Bearing (2 req)
16	1188686	16-20	Bridge Screw (2 req)	32	1265049	32-TRQ15LD2S	Screw	55T	1238913	55T-30SLD	Thrust Bearing
18	1265001	18-TRQ40NLD2	Spring Washer (2 req)	33	1290729	33-TRQ	Rod Clamp Aluminum	62	1188664	62-20	Click Spring
18C	1181632	18C-15KG	Spring Shift Button (2 req)	33C	1290731	33C-TRQ40NLD2	Rod Clamp Kit	62A	1188653	62A-20	Click Spring Guard
18H	1265002	18H-30SLD2	Spring					62B	1236596	62-TRQ40	Spring Click Locator
18L	1265003	18L-30SLD2	Spring					62C	1188654	62C-20	Screw (7 req)



62A	1188653	62A-20	Click Spring Guard
62B	1236596	62-TRQ40	Spring Click Locator
62C	1188654	62C-20	Screw (7 req)
66A	1265059	66A-FTHLD	Click Gear
67	1184105	67-30VS	Ring Retaining
69	1188657	69-20	Retainer (3 req)
69D	1265060	69D-FTH15LD	Retaining Ring
71	1309891	71-FTH25NLD2	Spindle Complete
82	1265070	82-TRQ40NLD2	Washer Teflon (2 req)
82A	1265071	82A-30SLD2	Washer Teflon
91A	1277514	91A-TRQ40NLD2	Handle Knob Washer
98	1265073	98-FTH40NLD2	Ratchet
110A	1230438	110A-12VS	Ring, Handle Screw Locking
110B	1265074	110B-TRQ40NLD2B	Base Assembled Black
110C	1265075	110C-12VS B	Retainer Shift Button Black
110D	1309895	110D-FTH15LD2	Retaining Ring
117	1309896	117-FTH15LD2	Drive Plate
117A	1309898	117A-FTH25NLD2	Drag Washer (Assembly)
117W	1309901	117W-FTH25NLD2	Drag Washer Metal
128	1265084	128-30SLD2	Shift Key
133	1230583	133-12VS	Plate Retaining
134	1265085	134-30SLD2	Gear Stud
134A	1265086	134A-30SLD2	Nut Gear Stud
134B	1265087	134B-30SLD2	Washer Support Gear Stud
141	1265088	141-TRQ15LD2	Cam Follower
141B	1265089	141B-TRQ15LD2	Preset Knob Click Spring
144	1265090	144-TRQ15LD2B	Preset Knob (Black)
149	1184702	149-45	Rod Clamp Nut (2 req)
149A	1184706	149-200	Hex Nut (2 req)
154	1265092	154-TRQ40NLD2	Gear Stud Shim (As Required)
154A	1306668	154A-TRQ40NLD2	Gear Stud Shim (As Required)
154B	1309903	154B-FTH25NLD2	Belleville Distance Washer (1req)
154B	1309904	154B-FTH40NLD2	Belleville Distance Washer (1req)
161	1265097	161-TRQ40NLD2	Locating Button
161A	1265098	161A-TRQ15LD2	Lever Click Pin
161B	1265099	161B-TRQ40NLD2	Strike Button
162	1318280	162-TRQ40NLD2	Spring
171	1265101	171-30SLD2	Plunger Gear Shift
172	1265102	172-12VSB	Shift Button Assembly Black
172B	1184831	172B-30VS	Spacer
173	1192384	173-12VS	Catch, Shifter (2 req)
173A	1230664	173A-12VS	Holder Catch
183	1309906	183-FTH25NLD2	Frame Assembly
195	1184955	195-40	Retaining Ring (2 req)